

## 2" Cast Iron Gasoline & Diesel Driven Solids Handling Pumps



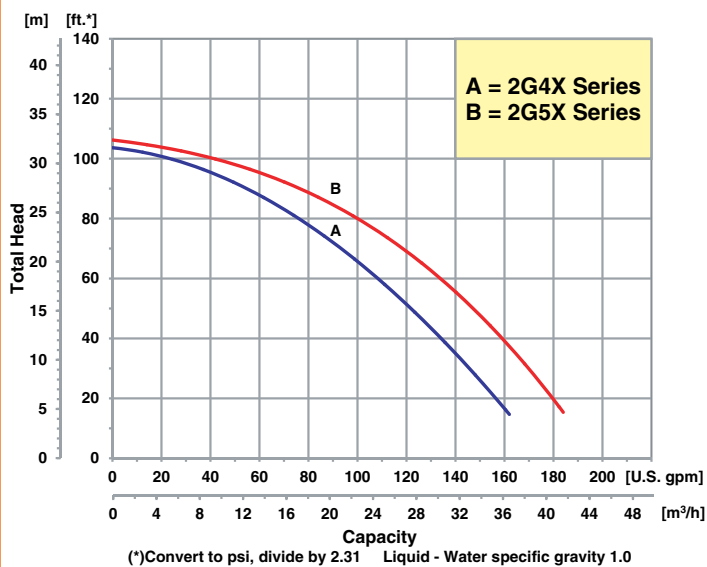
Model  
S/2G4XACR/X

S/Model 2G5XQCR/X

- **Heavy Duty Cast Iron Construction**
- **EPDM/EPR Mechanical Seal, O-Rings and Gaskets**
- **2" NPT Port Sizes**
- **Self-Priming up to 20 Ft.**
- **Semi-Open, Clog Resistant Impellers**
- **Maximum Solids Handling 1/2"**
- **Built-in EPDM/EPR Check Valve**
- **Engine Options: Honda, Briggs & Stratton Gasoline or Hatz Diesel**
- **Heavy Duty Steel Roll Frame Included**
- **Optional Wheel Kit Available**

The Cast Iron Engine Driven Solids Handling pumps offers an upgraded debris handling capability in wear resistant cast iron construction. Applications include: high volume liquid transfer, agriculture/liquid fertilizer, irrigation, commercial draining and construction. All models feature durable all cast iron construction and clog-resistant impeller to ensure a long life for the complete pump. Dual volute design reduces radial load on engines. Simple four bolt design for easy cleanout, tool included. EPDM/EPR seal and gaskets for use with many anti-freeze, alcohols, ozone, freon, etc. Check your specific chemical for compatibility.

Performance of Engine Driven Solids Handling Pumps



# Engine Driven Solids Handling Pumps

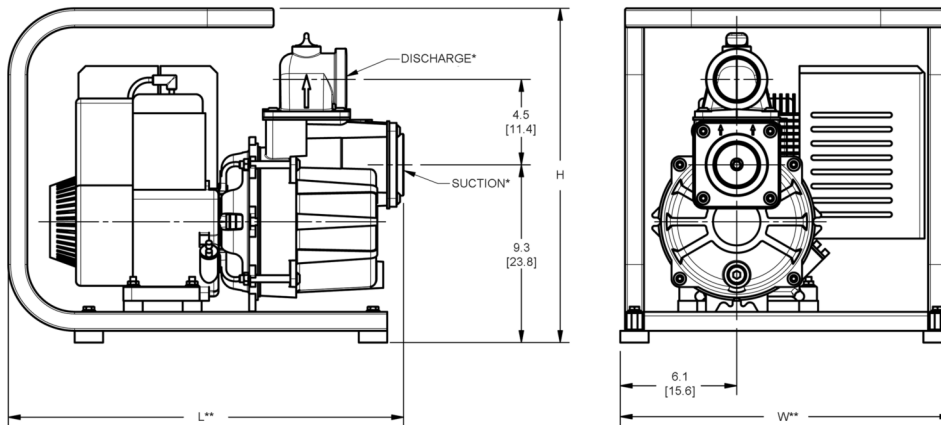
## Pump Dimensional & Specification Data

Model	Curve	Port	Driver	Seal	Run Time (Hours)	Tank Size (Gal/Ltr.)	Ship Wt. (Lbs.)
S/2G4XACR./X	A	2" NPT	Briggs & Stratton OHV	EPDM/EPR	1.2	0.52 /2.0	90
S/2G5XZCR/X	B	2" NPT	Hatz Diesel 1B20	EPDM/EPR	2.7	0.79/3.0	100
S/2G5XQCR/X	B	2" NPT	Honda GC160 OHV	EPDM/EPR	1.5	0.47/1.7	90

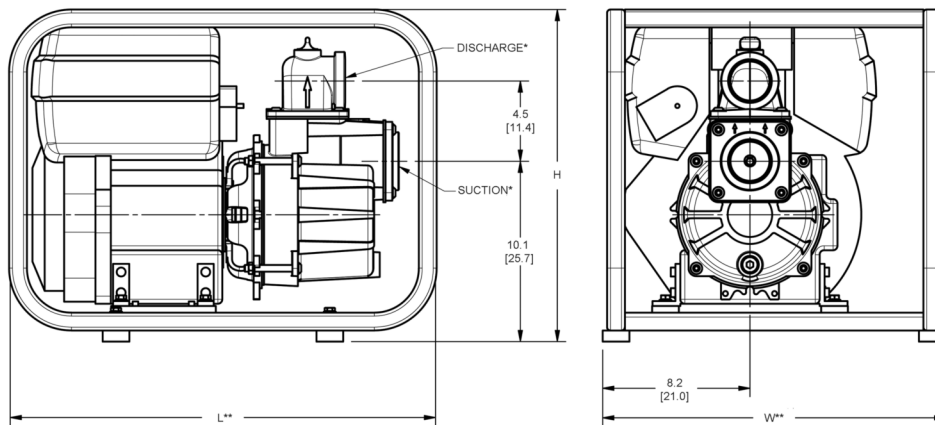
Construction: Cast Iron

Maximum Solids Handling Capacity: 1/2" Diameter

### 2" Gasoline Solids Handling Pumps



### 2" Diesel Solids Handling Pumps



### Standard Features

- Simple Four Bolt Design for Easy Cleanout, Tool Included
- EPDM/EPR Mechanical Seals, O-Rings and Gaskets
- Discharge Ports Rotate in 90° Increments
- Heavy Duty Cast Iron Construction Ensures Durability for Severe Service Conditions
- O-Ring Casing Seal for Ease of Service and Cleaning
- Maximum Working Pressure 75 PSI
- Maximum Temperature 200° F
- Maximum Flow 182 GPM
- Maximum Head 106 Ft.
- Dual Volute Design for Hydraulic Balance
- Self-Primes to 10 Feet in 1 Minute with Maximum Suction Lift of 20 Feet
- Heavy Duty Steel Roll Frame for Portability

### Optional Wheel Kit For Roll Frame Pumps

Model	HP Class ♦	SUC*	DIS*	L**	W**	H
S/2G4XACR./X	4 HP	2	2	20.8 [52.8]	17.5 [44.5]	17.6 [44.8]
S/2G5XZCR/X	5 HP	2	2	24.0 [60.9]	19.2 [48.7]	18.6 [47.3]
S/2G5XQCR/X	5 HP	2	2	20.8 [52.8]	17.5 [44.5]	17.6 [44.8]

Model	Features	Ship Wt. (Lbs.)
C402-90	Includes 10" semi-pneumatic tires on steel wheels with clamps and steel handle for universal mounting to frame.	25

(♦) HP Class represents market category and is not intended to define actual horsepower

(\*) Standard NPT Pipe Thread

(\*\*) This dimension may vary due to engine manufacturer's specifications.

NOTE: Dimensions are in inches [centimeters] and have a tolerance of ±1/8".