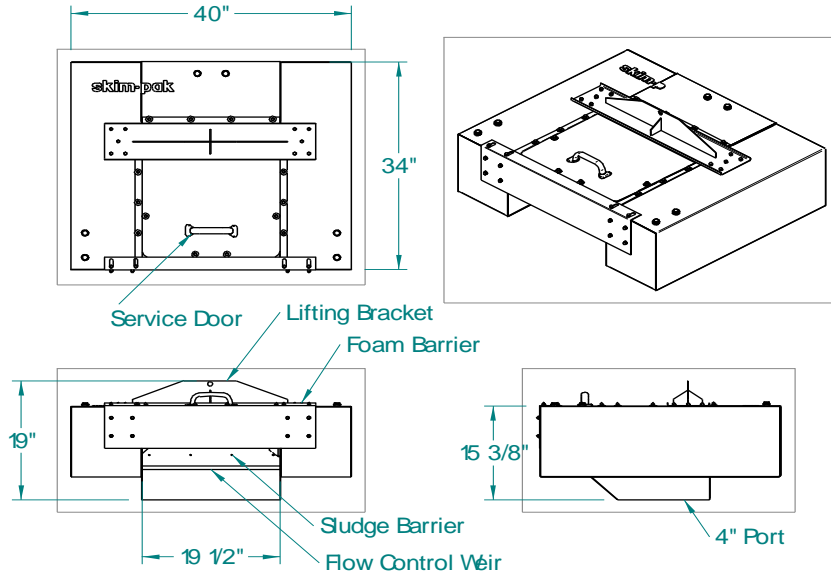
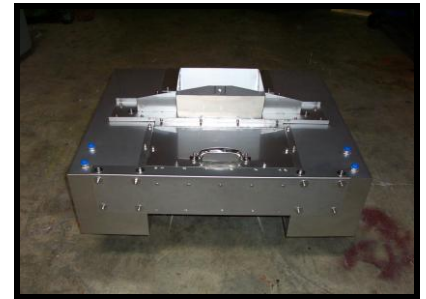


Model No. HD-00811 SBR Floating Decanter



Technical Specification for Skimoil floating decanter model HD-00811

The model HD-00811 is a floating decanter for the removal of subnatant in Sequencing Batch Reactors (SBR), flocculants tanks and other water treatment applications where you want to remove the water from below---the floating layer. The HD-00811 have flow-controlled weirs with adjustable flow rate capabilities. The standard flow rate is up to 2.8 cubic meters per minute per meter of weir. The HD-00811 has 0.5 meters of total weir, and therefore is normally operated at a flow rate up to 1.4 m³/min, 370 gal/min. The HD-00811 excludes floating solids during the aeration cycle. Installation options include an articulating pipe swing arm or flexible hose deployment. The system can be gravity drained or pumped. Deployment is based on site-specific conditions.



HD-00811 Technical Specifications

Construction: 304 Stainless Steel
 Total meters of Weir: .5
 Standard flow rate: 1.4 m³/min, 370 gal/min *
 Max flow rate: 555 gal/min
 Dimensions: 34" x 60" 20"
 Weight
 Shipping: 180lbs
 After Ballasting: Maximum 350lbs
 Standard Port size: 4"
 Port configuration: ANSI
 *Flow rate assumes at least 4' head.

Includes:

Flow Control Weirs
 Flotation Tanks with Internal Ballast tanks
 Integral Lifting Brackets
 Foam Barrier
 Locking scum door
 Service doors
 Other features:
 Operation requires no solenoids or other electrical mechanical actuators.
 There are no springs, or spare parts required.